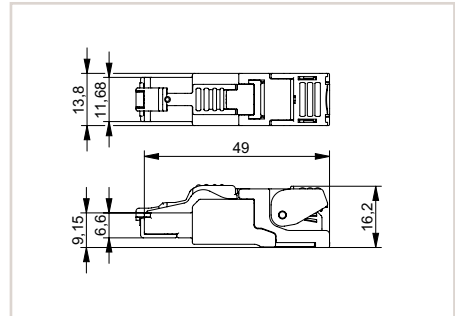
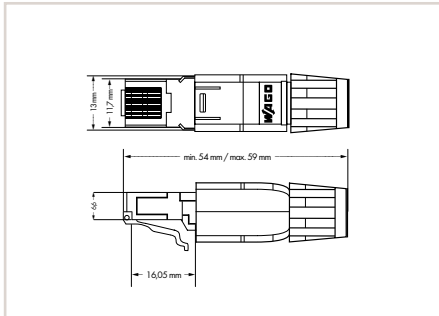
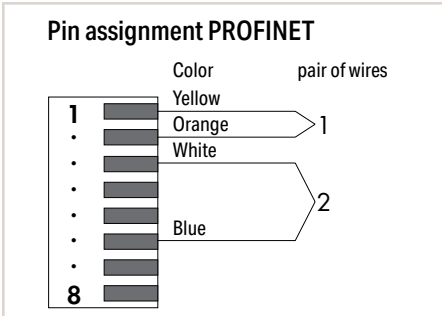


PROFINET Connector



Item Description
Version
Item No.
Order Text

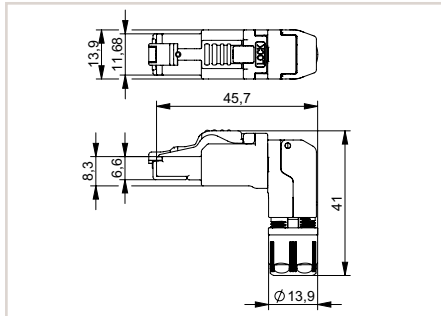
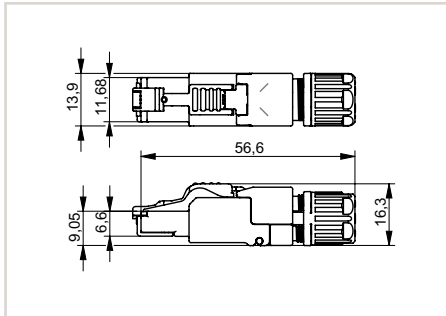
PROFINET Connector ; RJ-45; Cat. 5; Straight
AWG 22
750-976
Connector PROFINET; RJ-45; Cat.5; 180°; AWG22

PROFINET Connector ; RJ-45; Cat. 6A; Straight
AWG 22
750-977/000-013
Connector PROFINET; RJ-45; Cat.6A; 180°; AWG22

Technical Data	
Cable category	Cat. 5e
Data transmission rate (max.)	100 MBit/s
Code	PROFINET
Cable exit	180°
Pole No.	8
Housing material	Plastic
Mating cycles	> 1000
Conductor connection	IDC (Insulation Displacement Contact)
Conductor cross sections	Solid: 0.13 ... 0.24 mm ² / 26/1 ... 23/1 AWG; Stranded: 0.14 ... 0.36 mm ² / 26/7 ... 22/7 AWG
Cable jacket diameter	4.5 ... 8 mm
Cable strain relief	Screw clamp connection
Shield connection	>180°
Surrounding air temperature (operation)	-20 ... +70 °C
Surrounding air temperature (storage)	-40 ... +70 °C
Relative humidity	95 %; non condensing
Protection type	IP20
Standards/specifications	Basic standard: IEC 60603-7 RJ-45 Category 5; CD ISO/IEC 11801: 2002; EN 50173: 2002; EIA/TIA 568A: 2002; UL 1863
Approvals	Marine
Data sheet and further information, see:	wago.com/750-976

Cable category	Cat. 6A
Data transmission rate (max.)	100 MBit/s
Code	PROFINET
Cable exit	180°
Pole No.	8
Housing material	Zinc die-cast
Mating cycles	> 750
Conductor connection	IDC (Insulation Displacement Contact)
Conductor cross sections	Solid: 0.21 ... 0.32 mm ² / 24/1 ... 22/1 AWG; Stranded: 0.11 ... 0.36 mm ² / 27/7 ... 22/7 AWG
Cable jacket diameter	5.5 ... 9 mm
Cable strain relief	
Shield connection	360°
Surrounding air temperature (operation)	-40 ... +85 °C
Surrounding air temperature (storage)	-40 ... +85 °C
Relative humidity	95 %; non condensing
Protection type	IP20
Standards/specifications	IEC60603-7-51; ISO/IEC 11801; IEEE 802.3an; EIA/TIA 568-C.2; DIN EN 50173-1; UL 1863; UL 2043
Approvals	
Data sheet and further information, see:	wago.com/750-977/000-013

Cable category	Cat. 6A
Data transmission rate (max.)	100 MBit/s
Code	PROFINET
Cable exit	180°
Pole No.	8
Housing material	Zinc die-cast
Mating cycles	> 750
Conductor connection	IDC (Insulation Displacement Contact)
Conductor cross sections	Solid: 0.21 ... 0.32 mm ² / 24/1 ... 22/1 AWG; Stranded: 0.11 ... 0.36 mm ² / 27/7 ... 22/7 AWG
Cable jacket diameter	5.5 ... 9 mm
Cable strain relief	
Shield connection	360°
Surrounding air temperature (operation)	-40 ... +85 °C
Surrounding air temperature (storage)	-40 ... +85 °C
Relative humidity	95 %; non condensing
Protection type	IP20
Standards/specifications	IEC60603-7-51; ISO/IEC 11801; IEEE 802.3an; EIA/TIA 568-C.2; DIN EN 50173-1; UL 1863; UL 2043
Approvals	
Data sheet and further information, see:	wago.com/750-977/000-013



PROFINET Connector ; RJ-45; Cat. 6A; Straight; Strain relief

AWG 22

750-978/000-013

Connector PROFINET; RJ-45; Cat.6A; 180°; AWG22; Strain relief

PROFINET Connector ; RJ-45; Cat. 6A; Angled; Strain relief

AWG 22

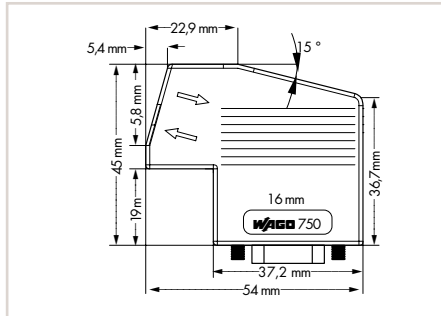
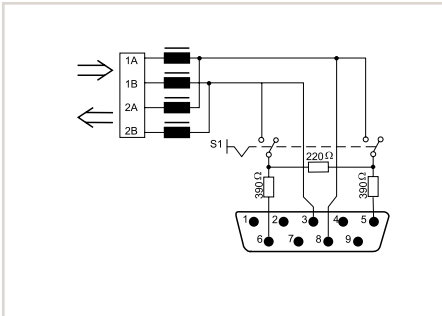
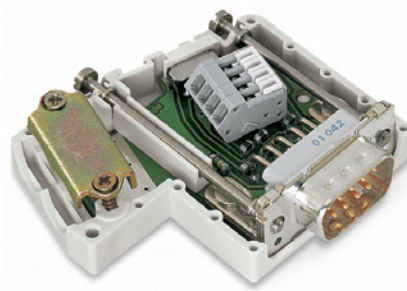
750-979/000-013

Connector PROFINET; RJ-45; Cat.6A; 90°; AWG22; Strain relief

Cat. 6A
100 MBit/s
PROFINET
180°
8
Zinc die-cast
> 750
IDC (Insulation Displacement Contact)
Solid: 0.21 ... 0.32 mm ² / 24/1 ... 22/1 AWG;
Stranded: 0.11 ... 0.36 mm ² / 27/7 ... 22/7 AWG
5.5 ... 10 mm
Screw clamp connection
360°
-40 ... +85 °C
-40 ... +85 °C
95 %; non condensing
IP20
IEC60603-7-51; ISO/IEC 11801; IEEE 802.3an;
EIA/TIA 568-C.2; DIN EN 50173-1;
UL 1863; UL 2043
wago.com/750-978/000-013

Cat. 6A
100 MBit/s
PROFINET
90°; selectable position
8
Zinc die-cast
> 750
IDC (Insulation Displacement Contact)
Solid: 0.21 ... 0.32 mm ² / 24/1 ... 22/1 AWG;
Stranded: 0.11 ... 0.36 mm ² / 27/7 ... 22/7 AWG
5.5 ... 10 mm
Screw clamp connection
360°
-40 ... +85 °C
-40 ... +85 °C
95 %; non condensing
IP20
IEC60603-7-51; ISO/IEC 11801; IEEE 802.3an;
EIA/TIA 568-C.2; DIN EN 50173-1;
UL 1863; UL 2043
wago.com/750-979/000-013

PROFIBUS Fieldbus Connector



Item Description
Item No.
Order Text

PROFIBUS Fieldbus Connector; D-sub; 9-pole
750-960
 Connector PROFIBUS; DSub-M; 9P

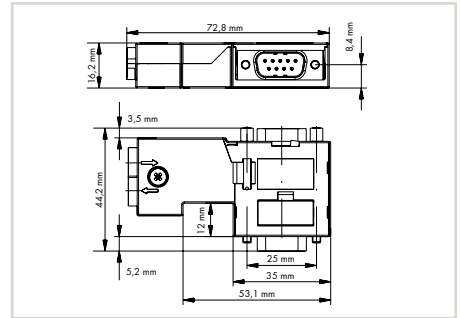
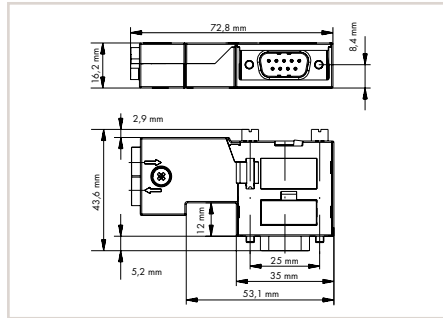
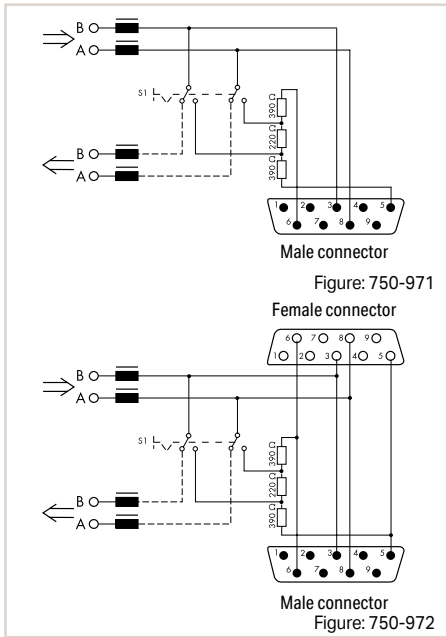
Technical Data
 Double cable entry point
 Data transmission rate (max.)
 Terminating resistor
 Housing color
 Protection type
 Surrounding air temperature (operation)
 Surrounding air temperature (storage)
 Relative humidity
 Conductor connection
 Conductor cross sections
Approvals
 Data sheet and further information, see:

min. 4.5 mm Ø/ max. 9.5 mm Ø
 12 Mbit/s
 Integrated switch
 Light gray
 IP20
 0 ... +60 °C
 -25 ... +85 °C
 95 %; non condensing
 CAGE CLAMP® terminal strip with locking slides (218 Series)
 0.08 ... 0.5 mm² / 28 ... 20 AWG; limited connection 0.75 mm² / 18 AWG possible
 Marine; OrdLoc/HazLoc; ATEX/IECEx
wago.com/750-960

Accessories
 Operating tool with a partially insulated shaft; Type 1; (2.5 x 0.4) mm blade
 Operating tool with a partially insulated shaft; Type 2; (3.5 x 0.5) mm blade

Item No.	Page
210-719	504
210-720	504

PROFIBUS Fieldbus Connector



Item Description
Item No.
Order Text

PROFIBUS Fieldbus Connector; D-sub; 9-pole
750-971
Connector PROFIBUS; DSub-M; 9P

PROFIBUS Fieldbus Connector; with D-sub male and female connectors; 9-pole
750-972
Connector PROFIBUS; DSub-M; 9P; PG-Int

Technical Data
Double cable entry point
Data transmission rate (max.)
Terminating resistor
Housing color
Protection type
Surrounding air temperature (operation)
Surrounding air temperature (storage)
Relative humidity
Conductor connection
Conductor cross sections
Data sheet and further information, see:

8.5 mm Ø
12 Mbit/s
Integrated switch
Light gray
IP20
-25 ... +70 °C
-25 ... +85 °C
95 %; non condensing
CAGE CLAMP® terminal strip with locking slides (218 Series)
0.08 ... 0.5 mm ² / 28 ... 20 AWG; limited connection 0.75 mm ² / 18 AWG possible
wago.com/750-971

8.5 mm Ø
12 Mbit/s
Integrated switch
Light gray
IP20
-25 ... +70 °C
-25 ... +85 °C
95 %; non condensing
CAGE CLAMP® terminal strip with locking slides (218 Series)
0.08 ... 0.5 mm ² / 28 ... 20 AWG; limited connection 0.75 mm ² / 18 AWG possible
wago.com/750-972

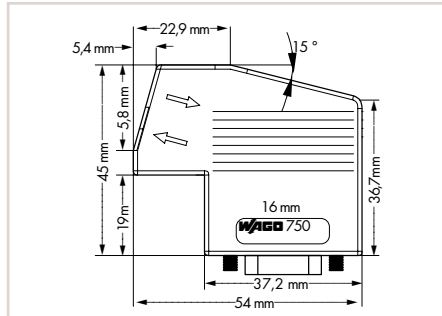
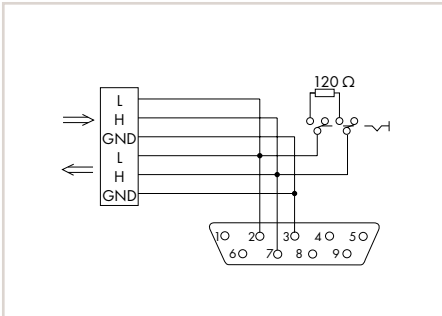
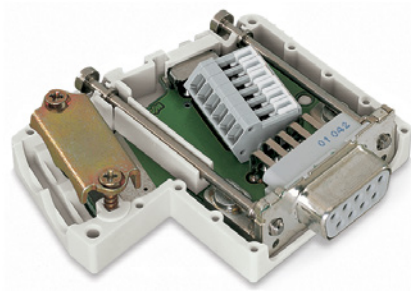
Accessories
Operating tool with a partially insulated shaft; Type 1; (2.5 x 0.4) mm blade

Item No.	Page
210-719	504

Item No.	Page
210-719	504

This fieldbus connector can be connected to a programming tool without interrupting the connection to the PROFIBUS device.

CANopen Fieldbus Connector

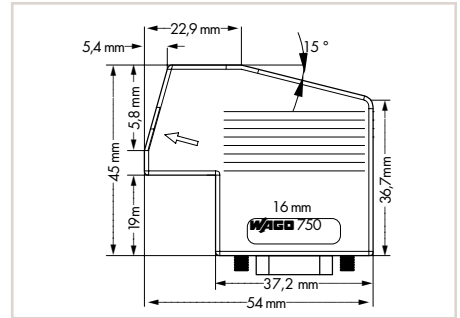
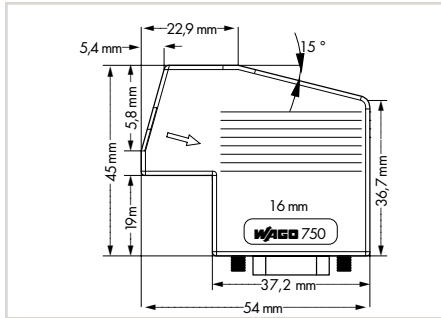
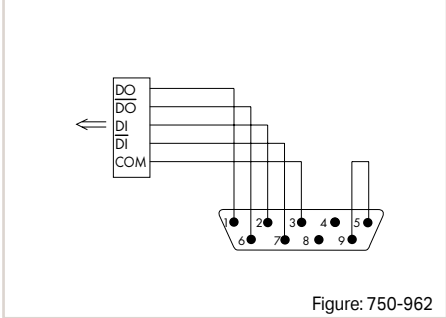
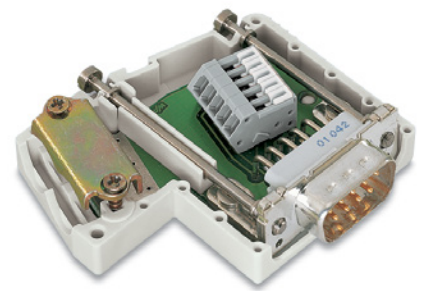
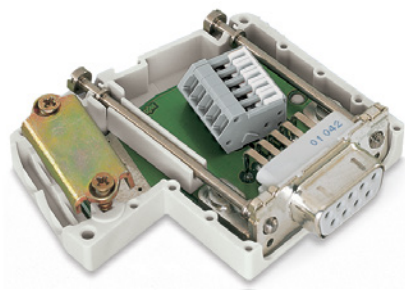
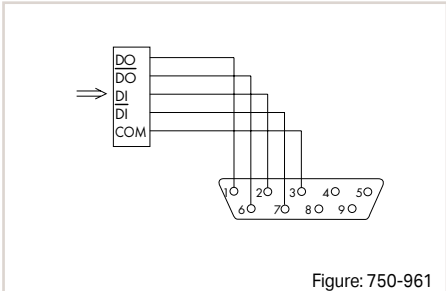


Item Description	CANopen Fieldbus Connector; with D-sub female connector; 9-pole
Item No.	750-963
Order Text	Connector CANopen; DSub-F; 9P

Technical Data	
Double cable entry point	min. 4.5 mm Ø / max. 9.5 mm Ø
Data transmission rate (max.)	1 Mbd
Terminating resistor	Integrated switch
Housing color	Light gray
Protection type	IP20
Surrounding air temperature (operation)	0 ... +60 °C
Surrounding air temperature (storage)	-25 ... +85 °C
Relative humidity	95 %; non condensing
Conductor connection	CAGE CLAMP® terminal strip with locking slides (218 Series)
Conductor cross sections	0.08 ... 0.5 mm² / 28 ... 20 AWG; limited connection 0.75 mm² / 18 AWG possible
Approvals	☞ Marine; ☞ OrdLoc; ☞ ATEX/IECEX
Data sheet and further information, see:	wago.com/750-963

Accessories	
Operating tool with a partially insulated shaft; Type 1; (2.5 x 0.4) mm blade	Item No. 210-719 Page 504
Operating tool with a partially insulated shaft; Type 2; (3.5 x 0.5) mm blade	210-720 504

INTERBUS Fieldbus Connector



Item Description
Item No.
Order Text

INTERBUS Fieldbus Connector (IN); with D-sub female connector; 9-pole
750-961
Connector INTERBUS; DSub-F; 9P

INTERBUS Fieldbus Connector (OUT); with D-sub male connector; 9-pole
750-962
Connector INTERBUS; DSub-M; 9P

Technical Data
Double cable entry point
Data transmission rate (max.)
Housing color
Protection type
Surrounding air temperature (operation)
Surrounding air temperature (storage)
Relative humidity
Conductor connection
Conductor cross sections
Approvals
Data sheet and further information, see:

min. 4.5 mm Ø/ max. 9.5 mm Ø
2 Mbd
Light gray
IP20
0 ... +60 °C
-25 ... +85 °C
95 %; non condensing
CAGE CLAMP® terminal strip with locking slides (218 Series)
0.08 ... 0.5 mm ² / 28 ... 20 AWG; limited connection 0.75 mm ² / 18 AWG possible
OrdLoc/HazLoc; ATEX/IECEx
wago.com/750-961

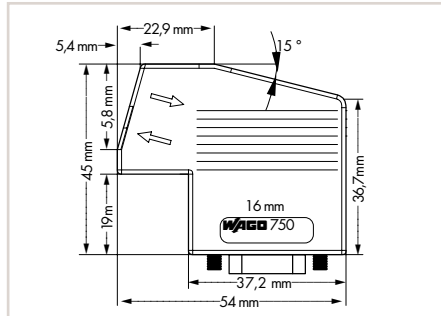
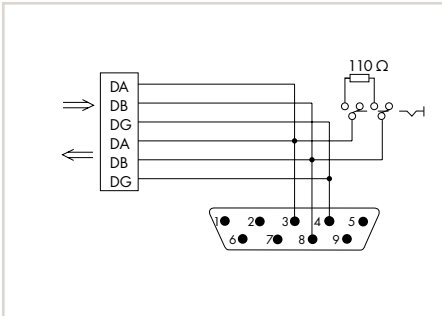
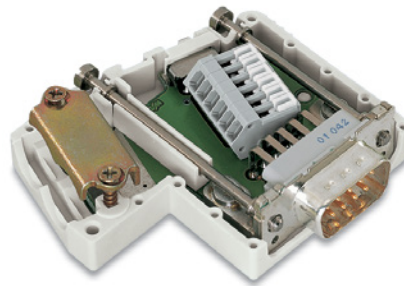
min. 4.5 mm Ø/ max. 9.5 mm Ø
2 Mbd
Light gray
IP20
0 ... +60 °C
-25 ... +85 °C
95 %; non condensing
CAGE CLAMP® terminal strip with locking slides (218 Series)
0.08 ... 0.5 mm ² / 28 ... 20 AWG; limited connection 0.75 mm ² / 18 AWG possible
OrdLoc/HazLoc; ATEX/IECEx
wago.com/750-962

Accessories
Operating tool with a partially insulated shaft; Type 1; (2.5 x 0.4) mm blade
Operating tool with a partially insulated shaft; Type 2; (3.5 x 0.5) mm blade

Item No.	Page
210-719	504
210-720	504

Item No.	Page
210-719	504
210-720	504

CC-Link Fieldbus Connector



Item Description	CC-Link Fieldbus Connector; with D-sub male connector; 9-pole
Item No.	750-965
Order Text	Connector CC-Link; DSub-M; 9P

Technical Data	
Double cable entry point	min. 4.5 mm Ø / max. 9.5 mm Ø
Terminating resistor	Integrated switch
Housing color	Light gray
Protection type	IP20
Surrounding air temperature (operation)	0 ... +60 °C
Surrounding air temperature (storage)	-25 ... +85 °C
Relative humidity	95 %; non condensing
Conductor connection	CAGE CLAMP® terminal strip with locking slides (218 Series)
Conductor cross sections	0.08 ... 0.5 mm² / 28 ... 20 AWG; limited connection 0.75 mm² / 18 AWG possible
Approvals	® OrdLoc
Data sheet and further information, see:	wago.com/750-965

Accessories	
Operating tool with a partially insulated shaft; Type 1; (2.5 x 0.4) mm blade	Item No. 210-719 Page 504
Operating tool with a partially insulated shaft; Type 2; (3.5 x 0.5) mm blade	Item No. 210-720 Page 504